

4

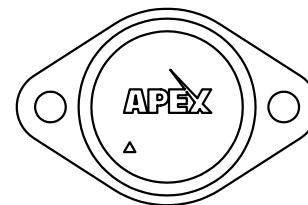
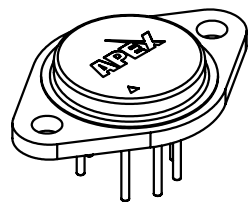
3

2

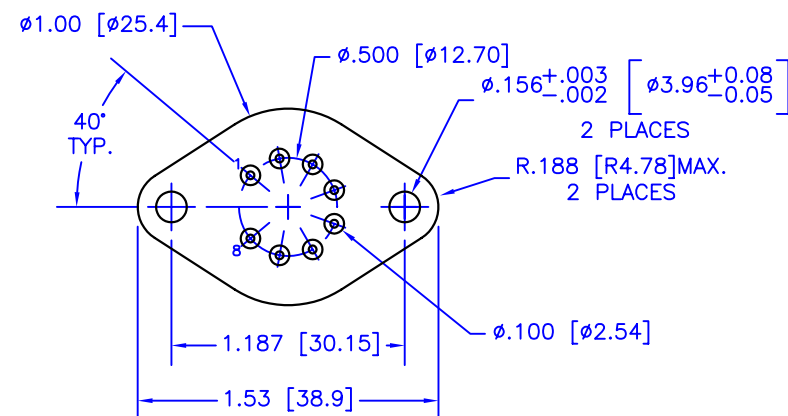
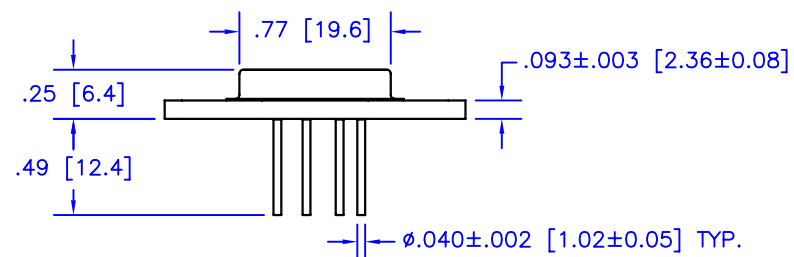
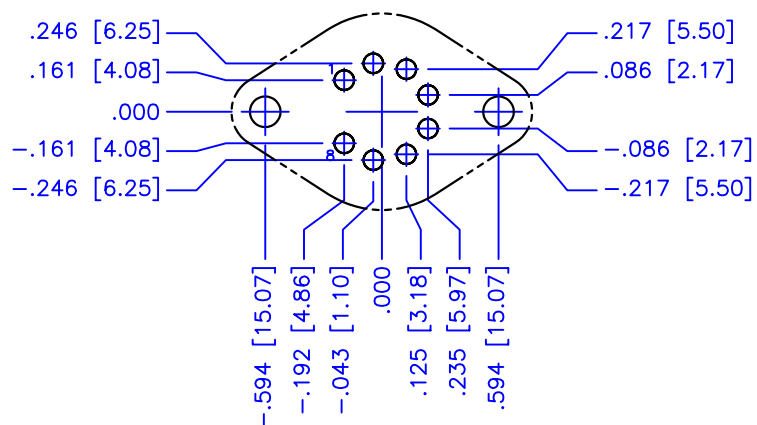
1

D

D



### Ordinate dimensions for CAD layout



### NOTES:

- Dimensions are inches & [mm].
- Triangle printed on lid denotes pin 1.
- Header flatness within pin circle is .0005" TIR, max.
- Header flatness between mounting holes is .0015" TIR, max.
- Standard pin material: Solderable nickel-plated Alloy 52.
- Header material: Nickel-plated cold-rolled steel.
- Welded hermetic package seal
- Isolation: 500 VDC any pin to case.
- Package weight: .53 oz [15 g]

TOLERANCES - UNLESS OTHERWISE SPECIFIED

.XX =  $\pm .01$  [.254]

.XXX =  $\pm .005$  [.127]

ANG. =  $\pm .5^\circ$



TITLE		8-PIN TO-3			PACKAGE		CE	
SUBJECT		MECHANICAL PACKAGE OUTLINE						
ENG:	TECH/DRAWL	DCA	SHL	OF	FILENAME:	REV	DATE	
D-M	P.ECK	44639	1	1	CE	C	8JUL04	

4

3

2

1

A

A